

A776

Two-Color Hybrid Receipt/Validation Printer with Slip Station, Integrated MICR, and Upgradable Imaging Module

Great Things Come in Small Packages:

- Low cost with smallest hybrid footprint
- FAST monochrome or ColorPOS® technology two-color thermal receipt
- Drop validation impact print station with superior paper handling
- Built in MICR reader
- Imaging Module option available
- Multiple communication interfaces

The Next Evolution in Hybrid Retail Printers

From the company that brought you the first thermal/impact hybrid transaction printer with integrated MICR, and clam shell drop-in paper loading design. TPG announces another first – the model A776 offers the market the first fully featured two-color/monochrome hybrid printer with a footprint under 73 sq. in.

Performance in a Small Package!

TPG's A776 printer has been designed for maximum flexibility, performance, reliability, and lowest cost. It opens a new world of possibilities with its lightning fast (180 mm/s) thermal receipt station. The A776 printer is capable of printing watermarks, logos, coupons and other "attention grabbing" features on monochrome or two-color thermal paper. Using TPG's innovative and industry leading ColorPOS technology and Receipt Marketing Software, the A776 is sure to deliver your message every time.

Premier Technology

Still need to print on forms and validate checks? The A776 impact slip station allows drop-in validation with top, front or side insertion of checks or other forms. It also reads MICR information from checks, general ledger tickets and other documents.

But, it doesn't end there. The A776 offers a paper low indicator and exhaust sensor, a positive slip position sensor and indicator, multiple resident emulations, and it is available with several popular communications interfaces, including USB. The A776's ribbon cassette has been designed for a snap-on/snap-off, "clean fingers" installation and can be used with any new or recycled bond paper.



If your business could use a dash of customer participation and retention, it's time you added a splash of color to your receipts.



A776

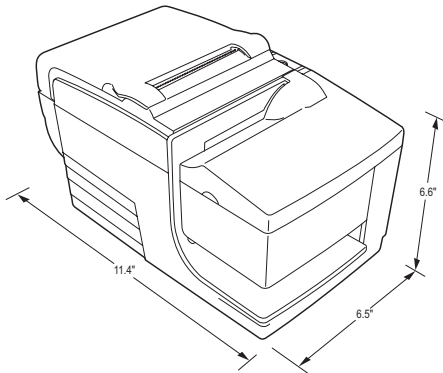
Two-Color Hybrid Receipt/Validation Printer with Slip Station, Integrated MICR, and Upgradable Imaging Module

Simply Reliable

No preventative maintenance is required during regular work cycles. The A776's industry leading design is backed by a 2 year warranty.

Imaging Capability

TPG's A776 two-color/monochrome hybrid thermal/impact receipt printer is designed with imaging in mind. The innovative imaging module is designed as an upgrade kit. You can add imaging capability anytime you like.



www.colorpos.com

Technical Specifications

	Receipt Station	Slip Station
Print Method	Direct Thermal, 203 DPI	9-Pin Impact
Character Cell Size	13 X 24, 10 X 24	7 X 7, 12 X 7, 5 X 9
CPI	15, 6, 20.3	13.9 & 16.8
Print Columns	44 & 56	42 & 51
Print Line Width	2.8 in. (72 mm)	3.02 in. (76.8 mm)
Character Sets	Page 437, 737, 850, 852, 858 (with Eurosymbol), 860, 862, 863, 865, 866, and 1252. Contact your TPG representative for expanded character sets.	
Bar Codes	UPC-A, UPC-E, Code 39, Code 93, Code 128, JAN8 and JAN13 (EAN), Interleaved 2 of 5, Codabar, PDF 417 (receipt station only)	
Printing Speed	Monochrome 53 LPS (180 mm/sec) Color 27 LPS (100 mm/sec)	4.8 LPS (16 mm/sec)
Auto Cutter	Partial Cut	
Emulations Available	Application compatible escape commands, TPG A756/A758, ColorPOS	
Data Buffer	8K	
User Memory	2 to 14 MB: shared for graphics, logos, user defined characters and user data storage	
Communication	Board Architecture supports: Dual 9-Pin RS-232/USB, 25-pin RS-232, Ethernet, USB, and Powered USB	
MICR Reader:		
Character sets/fonts	E-13B and CMC-7, auto discriminate (Integrated in slip station)	
Check Read Rate	99% minimum	
Parsing Formats	E-13B only. Programmable to any format	
Thermal Paper Requirements:		
Paper Type	Direct Thermal, POS Grade(s), special paper for color printing	
Paper Roll (W X Dia.)	3.15 in. X 3.27 in. (80 mm X 83 mm)	
Impact Slip Forms:		
Size	2.75 in. X 5.00 in. (69.85 mm x 127.00 mm) minimum front & side	
Max. Form Length	11.00 in. (279.4 mm)	
Number of Plies	1 - 4 ply multipart	
Paper Thickness	0.014 in. maximum (0.35 mm)	
Power	24 VDC	
Certifications	EMC emissions: EN55022:1998 Class B ITE emission requirements (EU); FCC 47 CFR Part 15, Class B emissions requirements (USA), VCCI Class B ITE emissions requirements (Japan); AS/NZS 3548:2002/CISPR22 Class B ITE emission requirements (Australia); EMC Immunity: EN55024:1998/A1:2001 Information technology equipment (EU)	
Reliability	Thermal Print Mechanism - 200 KM paper (59 M lines) monochrome, 200 KM two-color (53 M lines), Auto Knife Cutter - 1.5 M cuts, Impact Print Mechanism - 15 M lines, Impact Printhead - 200 M characters, and MICR reader - 200,000 Reads	
Dimensions (W X D X H)	6.5 in. X 11.4 in. X 6.6 in. (165.10 mm X 289.56 mm X 167.64 mm)	
Weight	Approx. 8 lbs., depending on options	
Options	MICR Reader, Expanded flash memory	
Printer Drivers	OLE POS for Windows compatible and Windows/Windows NT and Windows 2000, Java POS, USB, and Powered USB	

* TPG's native mode



Transaction Printer Group, Inc. – Headquarters
25 Tri-State International, Suite 200, Lincolnshire, IL 60069
Tel: 847 383 7900 Fax: 847 383 7949 www.TPGprinters.com
USA – 800 732 8950

©2005 Transaction Printer Group, Inc. All Rights Reserved. Patents pending. All trademarks or registered trademarks are the property of their respective owners. Printed in U.S.A. Product specifications are subject to change in order for TPG to continue to meet the needs of the market.

AXA-102 7/05

Distributed by: