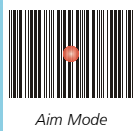


Hand-Held Laser Scanner



Hand-Held Readers

General Description

Design, ergonomics and ease of use, together with outstanding decoding performance and state-of-the-art software configuration capability, make FireScan™ an ideal solution for Retail, Office Automation and Light Industrial applications that require higher reading distances (over 40 cm) and a bright, well-defined scan line. FireScan™ is based on a new empowered architecture which allows the most advanced features to be employed. In terms of decoding, the implementation of PUZZLE SOLVER™ technology improves reading of poorly printed or damaged codes, while the Data Editing and Data Formatting function allows scanned data to be modified prior to transfer, ensuring compatibility with the application on the host system. Furthermore, the aiming system permits easy pointing on the code at higher distances.

In addition, the in-field update capability provided by FireScan™ guarantees your investment: the laser gun firmware can be easily updated, maintaining an always "up-to-date" device.

FireScan™ is available in three models with different interface sets: the standard D131 model provides all the typical connections (USB, RS232, WEDGE & WAND), the D111 model provides complete connectivity to main IBM46xx cash registers, and the D141 model performs undecoded reader applications (ex. connecting the reader to flatbed scanners). In addition, FireScan™ reads Reduced Space Symbolologies (RSS), an emerging symbology that can be printed on a smaller label, which meets emerging market needs for a greater amount of data on a symbol.

Features

- > Aggressive reading
- > Complete Data Editing and Formatting
- > Firmware upgrading
- > Intuitive barcode aiming
- > Ergonomics and lightweight
- > RSS-14 decoding capability
- > Sunrise 2005 Compliant

Applications

- > Distribution & Retail
- > Front-office applications
- > Light Industrial environments

InfoComm Engineering
10 Irvine Cres Frankston VIC 3199
Ph: (03) 9789 3547 Fax: (03) 9011 6180
Email: infocomm@coolice.com.au
Web: www.coolice.com.au/catalog/

ice InfoComm
Engineering
POS & IT Suppliers

Specifications

ELECTRICAL CHARACTERISTICS

POWER SUPPLY	5 VDC \pm 5%
CONSUMPTION	200 mA max. (FireScan™ D111/D131) 180 mA max. (FireScan™ D141)

MECHANICAL CHARACTERISTICS

WEIGHT (approx.)	200 g
CASE MATERIAL	ABS and Polycarbonate
CABLE LENGTH	2 m (6.1 ft.) linear or coiled

PERFORMANCE

LIGHT SOURCE	Laser diode 630 to 680 nm
MAX. RESOLUTION	0.12 mm (5 mils)
SCAN RATE	35 (\pm 5) scans/sec.
MIN. PRINT CONTRAST RATIO	PCS = 15%
READING FIELD	See diagram
READING ANGLE	Skew: \pm 60°, Pitch: 5 to 55°, -5 to -55°, Tilt \pm 20°
READING INDICATORS	Laser on and Good Read light, adjustable tone "beeper"
READABLE BAR CODES	2/5 family, Code 39 (plus Code 32, CIP 39), EAN/UPC, EAN 128, Code 128, Code 93, CODABAR, TELEPEN, PLESSEY, Code 49, Code MSI, Code Delta IBM, Code 11, Code 16K, ISBN/ISSN, ISBT 128, RSS variants

PROGRAMMING METHOD

<i>Manual</i>	Reading special bar codes
<i>Automatic (with RS232)</i>	S/W commands through the serial port
<i>DL Sm@rtSet™</i>	Windows configuration program

ENHANCED FEATURES

Puzzle Solver™, data editing and data concatenation

INTERFACES

FireScan™ D111	RS232, IBM 46xx
FireScan™ D131	USB, RS232, Wedge, Wand
FireScan™ D141	TTL/Laser output

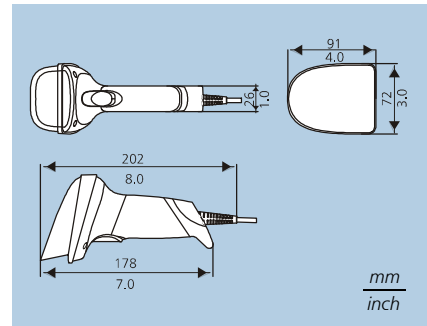
LASER CLASSIFICATION

Class 2 (EN60825-1/ CDRH)

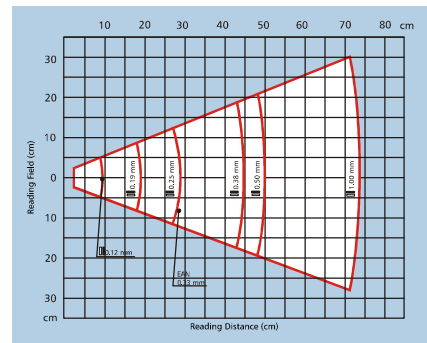
ENVIRONMENT

AMBIENT LIGHT CONDITIONS	Immune to light exposure in offices and facilities, and direct exposure to sunlight
OPERATING TEMPERATURE	0 to 50 °C
STORAGE TEMPERATURE	-20 to 40 °C
HUMIDITY	90% non condensing
DROP RESISTANCE	IEC 68-2-32 Test ED; withstands repeated drops from 1.5 m onto a concrete surface
ENVIRONMENTAL PROTECTION	IP30

Dimensions



Reading Diagram



Accessories



Stand

Robust and compact, the stand makes it possible to use the reader in hands-free mode.

Desk/Wall Holder

This item provides ease of use and flexibility in many environments where work space is limited.

ice InfoComm Engineering
POS & IT Suppliers

InfoComm Engineering
10 Irvine Cres Frankston VIC 3199
Ph: (03) 9789 3547 Fax: (03) 9011 6180
Email: infocomm@coolice.com.au
Web: www.coolice.com.au/catalog/

DATALOGIC
Your Life. Our Enthusiasm™

www.datalogic.com | info@datalogic.com

Product and Company names and logos referenced may be either trademarks or registered trademarks of their respective companies. We reserve the right to make modifications and improvements.



Datalogic Communication Division
Printed in Italy in November 2004

